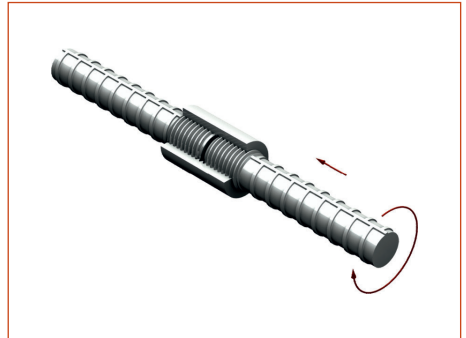


Rebar couplers FORTEC® BF

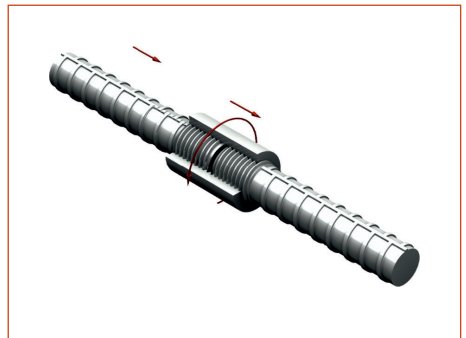
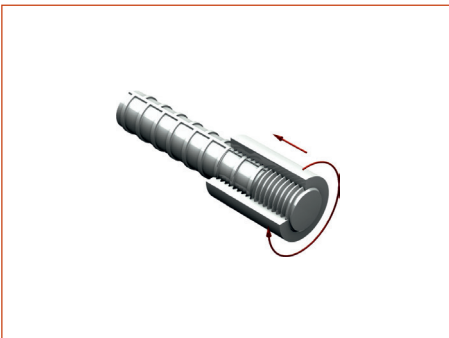
System of rebar mechanical connection in reinforced structures.
Connection guarantees transfer of full load and provide 100 % of load capacity.

National Technical Assessment ITB-KOT-2019/0863
National Technical Assessment IBDiM-KOT-2020

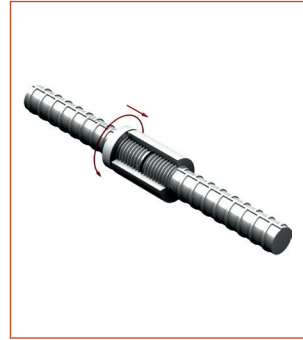
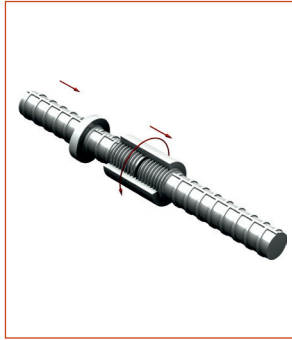
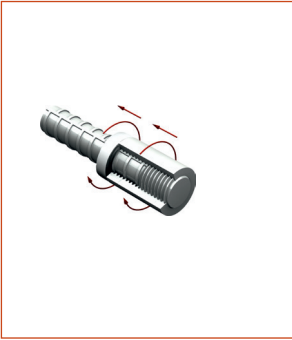
Standard connection (type M)



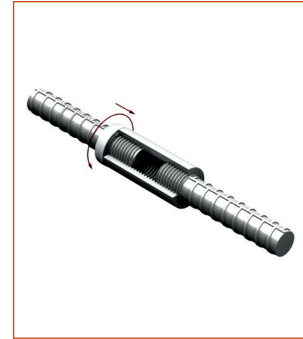
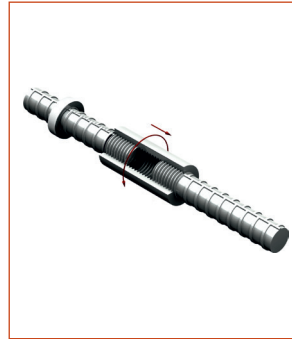
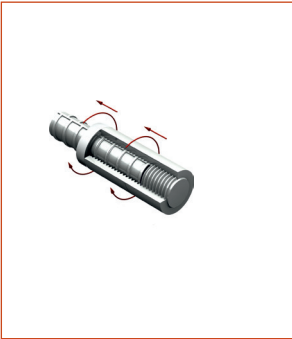
Positional connection (type MB)



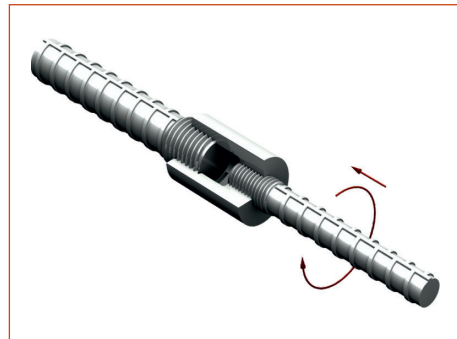
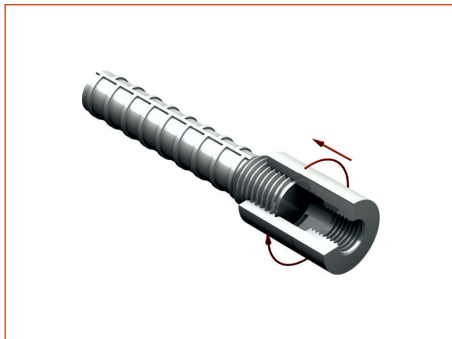
Positional connection with stabilisation (type MC)



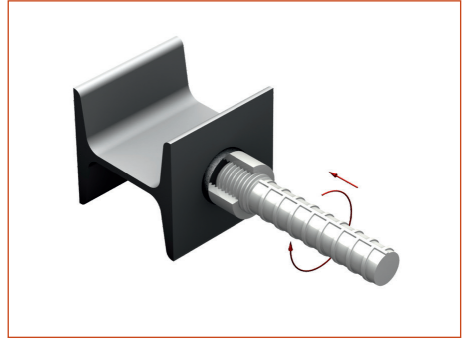
Distancing connection (type MD)



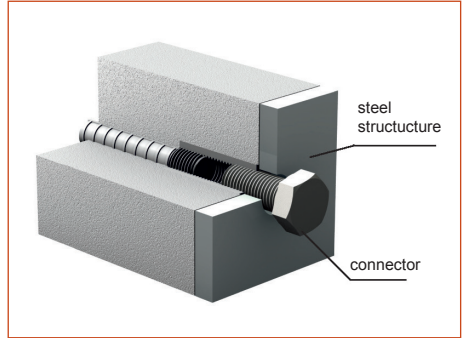
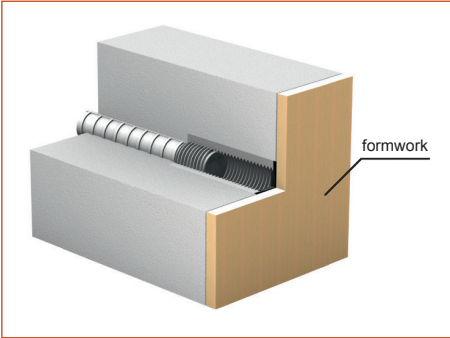
Reduction connection (type MR)

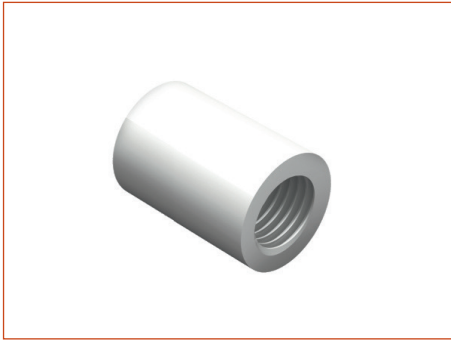


Welded connection (type W)

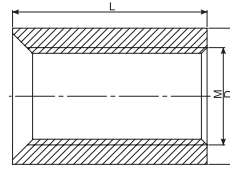


Screw anchoring (type F)





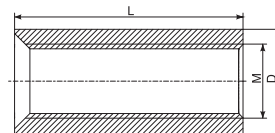
Standard coupler BF



Symbol	Rebar diameter Ø [mm]	Thread [mm]	Outer diameter D [mm]	Length L [mm]	Sale unit	Article no.
BF12	12	M14x2,0	20	28	pcs	ZB-ZS-BF-0-59761
BF14	14	M16x2,0	24	36	pcs	ZB-ZS-BF-0-59762
BF16	16	M20x2,5	25,6	44	pcs	ZB-ZS-BF-0-59763
BF18	18	M22x2,5	34	49	pcs	ZB-ZS-BF-0-59764
BF20	20	M24x3,0	31	52	pcs	ZB-ZS-BF-0-59765
BF22	22	M27x3,0	39	66	pcs	ZB-ZS-BF-0-59766
BF25	25	M30x3,5	39	66	pcs	ZB-ZS-BF-0-59767
BF28	28	M33x3,5	43,5	71	pcs	ZB-ZS-BF-0-59768
BF32	32	M36x4,0	47,8	78	pcs	ZB-ZS-BF-0-59769
BFC36	36	M42x4,5	55	90	pcs	ZB-ZS-BF-4-59770
BFC40	40	M45x4,5	60	97	pcs	ZB-ZS-BF-4-59771

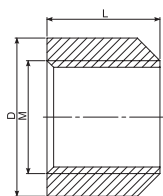


Distancing coupler BB



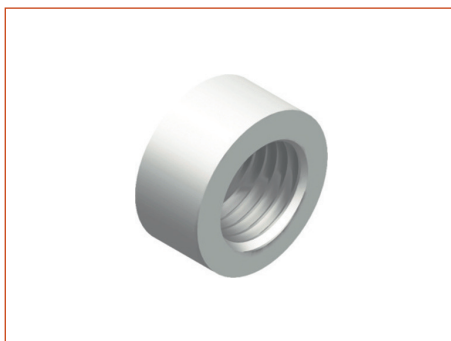
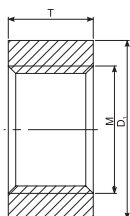
Symbol	Rebar diameter Ø [mm]	Thread [mm]	Outer diameter D [mm]	Length L [mm]	Sale unit	Article no.
BB16	16	M22x2,5	28	66	pcs	ZB-ZS-BF-4-59772
BB20	20	M24x3,0	32	78	pcs	ZB-ZS-BF-4-59773
BB22	22	M27x3,0	40	86	pcs	ZB-ZS-BF-4-59774
BB25	25	M30x3,5	40	97	pcs	ZB-ZS-BF-4-59775
BB28	28	M33x3,5	45	108	pcs	ZB-ZS-BF-4-59776
BB32	32	M36x4,0	50	120	pcs	ZB-ZS-BF-4-59777
BB36	36	M42x4,5	58	138	pcs	ZB-ZS-BF-4-59778
BB40	40	M45x4,5	62	160	pcs	ZB-ZS-BF-4-59779

Welding coupler WB

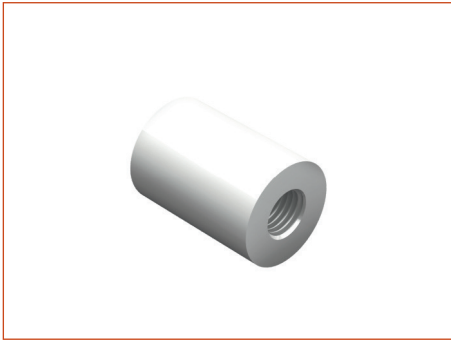


Symbol	Rebar diameter \varnothing [mm]	Thread [mm]	Outer diameter D [mm]	Length L [mm]	Sale unit	Article no.
WB14	12	M14x2,0	22	18	pcs	ZB-ZS-BF-4-59780
WB16	14	M16x2,0	28	27	pcs	ZB-ZS-BF-4-59781
WB20	16	M20x2,5	34	33	pcs	ZB-ZS-BF-4-59782
WB22	18	M22x2,5	38	35	pcs	ZB-ZS-BF-4-59783
WB24	20	M24x3,0	38	36	pcs	ZB-ZS-BF-4-59784
WB27	22	M27x3,0	45	39	pcs	ZB-ZS-BF-4-59785
WB30	25	M30x3,5	45	37	pcs	ZB-ZS-BF-4-59786
WB33	28	M33x3,5	55	40	pcs	ZB-ZS-BF-4-59787
WB36	32	M36x4,0	55	44	pcs	ZB-ZS-BF-4-59788
WB42	36	M42x4,5	72	51	pcs	ZB-ZS-BF-4-59789
WB45	40	M45x4,5	72	54	pcs	ZB-ZS-BF-4-59790

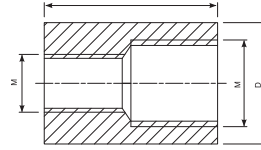
Round lock nut LN



Symbol	Rebar diameter \varnothing [mm]	Thread [mm]	Outer diameter D ₁ [mm]	T [mm]	Sale unit	Article no.
LN14	12	M14x2,0	20	10,0	pcs	ZB-ZS-BF-4-59799
LN16	14	M16x2,0	24	10,0	pcs	ZB-ZS-BF-4-59800
LN20	16	M20x2,5	28	10,0	pcs	ZB-ZS-BF-4-59801
LN22	18	M22x2,5	30	10,0	pcs	ZB-ZS-BF-4-59802
LN24	20	M24x3,0	32	10,0	pcs	ZB-ZS-BF-4-59803
LN27	22	M27x3,0	36	13,5	pcs	ZB-ZS-BF-4-59804
LN30	25	M30x3,5	40	12,0	pcs	ZB-ZS-BF-4-59805
LN33	28	M33x3,5	45	16,5	pcs	ZB-ZS-BF-4-59806
LN36	32	M36x4,0	50	15,0	pcs	ZB-ZS-BF-4-59807
LN40	36	M42x4,5	58	21,0	pcs	ZB-ZS-BF-4-59808
LN45	40	M45x4,5	62	18,0	pcs	ZB-ZS-BF-4-59809

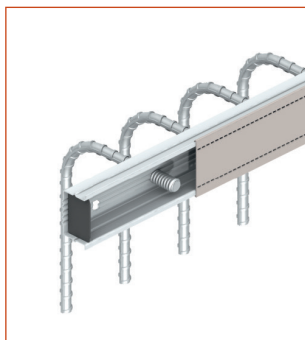


Reduction coupler DT



Symbol	Rebar diameter Ø [mm]	Thread [mm]	Outer diameter D [mm]	Length L [mm]	Sale unit	Article no.
DT14-12	14-12	M16x2,0/M14x2,0	24	38	pcs	ZB-ZS-BF-4-59858
DT16-14	16-14	M20x2,5/M16x2,0	26	46	pcs	ZB-ZS-BF-4-59859
DT20-12	20-12	M24x3,0/M14x2,0	30	50	pcs	ZB-ZS-BF-4-59860
DT20-14	20-14	M24x3,0/M16x2,0	30	56	pcs	ZB-ZS-BF-4-59861
DT20-16	20-16	M24x3,0/M20x2,5	30	58	pcs	ZB-ZS-BF-4-59862
DT22-16	22-16	M27x3,0/M20x2,5	36	59	pcs	ZB-ZS-BF-4-59863
DT22-20	22-20	M27x3,0/M24x3,0	38	63	pcs	ZB-ZS-BF-4-59864
DT25-16	25-16	M30x3,5/M20x2,5	38	64	pcs	ZB-ZS-BF-4-59865
DT25-20	25-20	M30x3,5/M24x3,0	38	68	pcs	ZB-ZS-BF-4-59866
DT25-22	25-22	M30x3,5/M27x3,0	45	71	pcs	ZB-ZS-BF-4-59867
DT28-16	28-16	M33x3,5/M20x2,5	40	67	pcs	ZB-ZS-BF-4-59868
DT28-20	28-20	M33x3,5/M24x3,0	40	71	pcs	ZB-ZS-BF-4-59869
DT28-22	28-22	M33x3,5/M27x3,0	45	74	pcs	ZB-ZS-BF-4-59870
DT28-25	28-25	M33x3,5/M30x3,5	45	77	pcs	ZB-ZS-BF-4-59871
DT32-16	32-16	M36x4,0/M20x2,5	45	72	pcs	ZB-ZS-BF-4-59872
DT32-20	32-20	M36x4,0/M24x3,0	45	76	pcs	ZB-ZS-BF-4-59873
DT32-22	32-22	M36x4,0/M27x3,0	45	79	pcs	ZB-ZS-BF-4-59874
DT32-25	32-25	M36x4,0/M30x3,5	45	82	pcs	ZB-ZS-BF-4-59875
DT32-28	32-28	M36x4,0/M33x3,5	48	85	pcs	ZB-ZS-BF-4-59876
DT36-25	36-25	M42x4,5/M30x3,5	52	90	pcs	ZB-ZS-BF-4-59877
DT36-28	36-28	M42x4,5/M33x3,5	55	93	pcs	ZB-ZS-BF-4-59878
DT36-32	36-32	M42x4,5/M36x4,0	60	96	pcs	ZB-ZS-BF-4-59879
DT40-25	40-25	M45x4,5/M30x3,5	55	93	pcs	ZB-ZS-BF-4-59880
DT 40-28	40-28	M45x4,5/M33x3,5	55	96	pcs	ZB-ZS-BF-4-59881
DT 40-32	40-32	M45x4,5/M36x4,0	62	99	pcs	ZB-ZS-BF-4-59882
DT 40-36	40-36	M46x4,5/M42x4,5	62	105	pcs	ZB-ZS-BF-4-59883

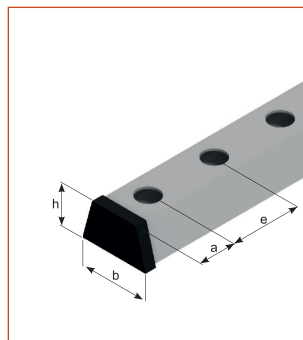
Mounting accessories



Steel box



Nailing grip



Trapezoidal box PVC

Steel box

Steel box allows to instal rebars in line way and very precisely. Using it you can create channel inside the concrete which will transfer higher shear forces. Standard length of the box is 1,25m, other lengths on request. Standard thickness of the box is 30mm.

Nailing grip

Symbol	Rebar diameter \varnothing [mm]	Thread D1 [mm]	Sale unit	Weight [kg/pcs]	Article no..
Nailing grip PVC M14	12	14	pcs	0,080	ZB-ZS-FT-0-42681
Nailing grip PVC M16	14	16	pcs	0,080	ZB-ZS-FT-0-43290
Nailing grip PVC M20	16	20	pcs	0,100	ZB-ZS-FT-0-43291
Nailing grip PVC M24	20	24	pcs	0,100	ZB-ZS-FT-0-43292
Nailing grip PVC M27	22	27	pcs	0,100	ZB-ZS-FT-0-46863
Nailing grip PVC M30	25	30	pcs	0,100	ZB-ZS-FT-0-43293
Steel nailing grip M33	28	33	pcs	0,250	ZB-ZS-FT-4-43294
Steel nailing grip M36	32	36	pcs	0,270	ZB-ZS-FT-4-43295

It is for bars with coupler fixing to formwork. Height of grip $h=10$ mm, diameter of grip $D=58$ mm.

Trapezoidal box PVC

Symbol	Bar diameter \varnothing [mm]	Width b [mm]	Height h [mm]	Jednostka sprzedaży	Masa [kg/pcs]	Article no.
FORTEC trapezoidal box 60	12-20	60	35	1 m	0,52	ZB-ZS-BT-0-02577
FORTEC trapezoidal box 90	25-32	90	50	1 m	1,12	ZB-ZS-BT-0-02578
FORTEC plastic cap for 60 batten				pcs	0,75/100 pcs	ZB-ZS-BT-0-02608
FORTEC plastic cap for 90 batten				pcs	1,30/100 pcs	ZB-ZS-BT-0-02609

Making holes in batten (standard length 1m) should be adjusted to rebars diameter. Placing order it is necessary to write dimensions a and e (distance from the edge and between rebars).

Inquiry form

Lp.	Type	Rebar diameter \varnothing [mm]	Rebar length L [cm]	Dimensions						Bending diameter d_{BR}^* [mm]	Angle α	Quantity of elements [szt]
				x [mm]	x_1 [mm]	x_2 [mm]	y [mm]	y_1 [mm]	y_2 [mm]			

Placing order it is necessary to write element marking and proper dimensions: x, y, d_{BR} and α .

Couplers FORTEC BF are made of our steel or customer's steel.

* Minimal diameter of bending according PN-EN 1992.

Rebar diameter	Minimal inner diameter of bending
$\varnothing \leq 16 \text{ mm}$	$4 \varnothing$
$\varnothing > 16 \text{ mm}$	$7 \varnothing$